

4.2mm(.165")Wire To Wire And Wire To Board Connector

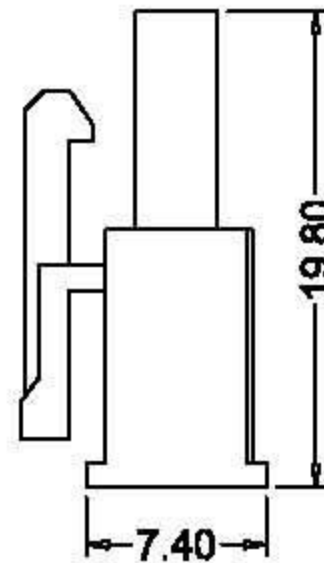
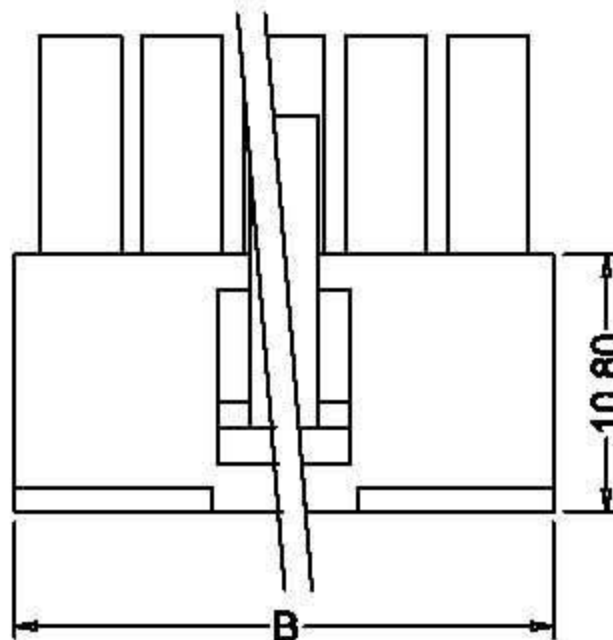
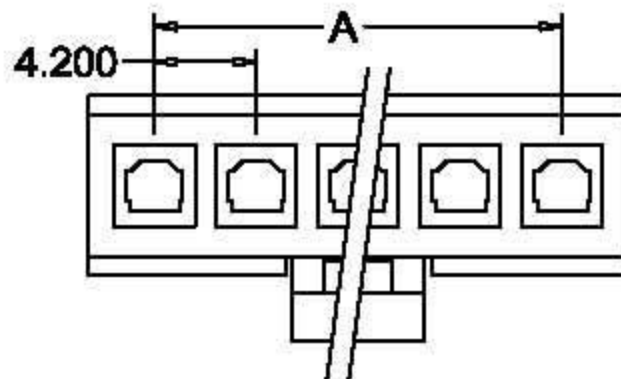
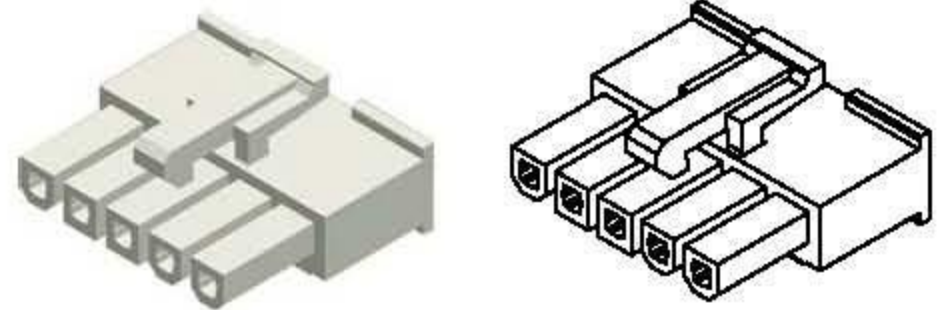


Shenzhen Hongru Connector Co., Ltd

SPECIFICATIONS:

- Current Rating: 9A AC, DC
- Voltage Rating: 600V AC, DC
- Operating temperature: V2: -25°C ~ +85°C
V0: -40°C ~ +105°C
- Contact Resistance: 10mΩ max.
- Insulation Resistance: 1000MΩ Min.
- Withstanding Voltage: 1500V AC/minute
- Material: Nylon UL94V-2/UL94V-0
- Use With: T4200BS-2
- Terminal In Housing Retention Force Requirement: 6.5kg (Min.)

Email: yukyli@hrb-connector.com
Tel: 86-0755 2709 6669
Fax: 86-0755 2709 2392
Skype: haiyuncheng-vivian
Mobile(whatsapp): 86-186 8112 3590
Website: <http://www.hrb-connector.com>



Ordering Information And Dimensions

| Part NO. | | Circuits | Dimensions | | Part NO. | | Circuits | Dimensions | |
|-------------|-------------|----------|------------|-------|--------------|--------------|----------|------------|-------|
| TYP UL94V-2 | TYP UL94V-0 | | Dim:A | Dim:B | TYP UL94V-2 | TYP UL94V-0 | | Dim:A | Dim:B |
| P4200-1x2-B | P4200-1x2-A | 2 | 4.20 | 9.55 | P4200-1x8-B | P4200-1x8-A | 8 | 29.40 | 34.75 |
| P4200-1x3-B | P4200-1x3-A | 3 | 8.40 | 13.75 | P4200-1x9-B | P4200-1x9-A | 9 | 33.60 | 38.95 |
| P4200-1x4-B | P4200-1x4-A | 4 | 12.60 | 17.95 | P4200-1x10-B | P4200-1x10-A | 10 | 37.80 | 43.15 |
| P4200-1x5-B | P4200-1x5-A | 5 | 16.80 | 22.15 | P4200-1x11-B | P4200-1x11-A | 11 | 42.00 | 47.35 |
| P4200-1x6-B | P4200-1x6-A | 6 | 21.00 | 26.35 | P4200-1x12-B | P4200-1x12-A | 12 | 46.20 | 51.55 |
| P4200-1x7-B | P4200-1x7-A | 7 | 25.20 | 30.55 | | | | | |

